

# MASK TRANSPORT, FAIL-SAFE

**MTP-10**

## EDGE-GRIPPING

### FEATURES

- 100% fail safe
- Will not drop mask
- Compatible with any holder
- Grips outside non-intrusion area
- Silicone Contact Points
- Non contaminating
- Positive hold (5 Gs min.)
- Adjustable head angle
- Vacuum driven - tethered
- Mechanically driven - untethered
- Available for 2 1/2 inch to 13 inch

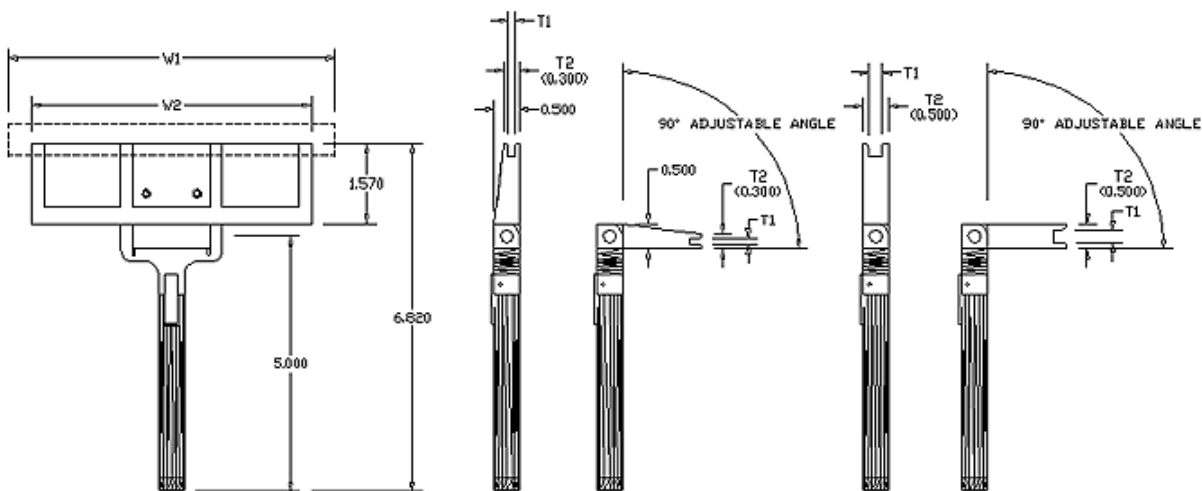
End-Effectors Inc. presents a convenient tool for handling glass masks. Based on the same principles which have made the Talon end-effectors efficient and popular, these hand held products allow glass mask handling in a positive and efficient manner. In addition to efficient handling, the parts are only held at the outer edge, outside the active mask area and within a three millimeter grip area.

These light weight, positive hold transports can be supplied as mechanically clamped or vacuum driven systems. Upon special order they can be supplied in a pressure driven format.

**EEI** END-EFFECTORS, INC.

1230 Coleman Avenue  
Santa Clara, California 95050-4338  
408/727-0100 FAX 408/727-2100

*"Giving Robotics A Hand"*



**PART NUMBER FORMAT: MTP-10 - VERSION - OPTIONS**

**EXAMPLE: MTP-10-060-0**

VERSION:	DASH NO.	MASK THICKNESS
	-030	
	-060	
	-090	
	-125	
	-187	

OPTIONS: -0 : None  
 -1 : ESD Ground Line with Resistor