

TALON III FAIL-SAFE

TAL-III SERIES

WAFER SIDE-GRIPPING SMART END-EFFECTORS

FEATURES

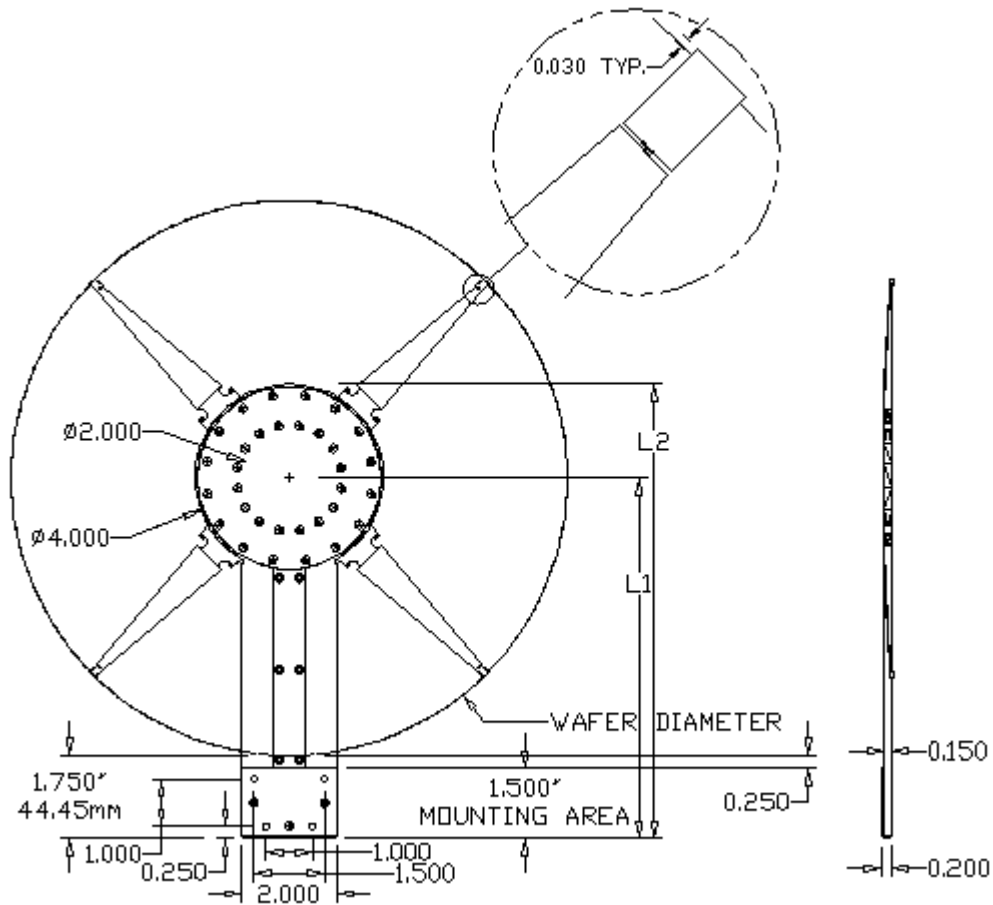
- Fail-safe design
- Will not drop wafer
- Multiple side-gripping styles
- **No** top or bottom contact
- Positive hold, multi-point
- Non contaminating - vacuum flushed
- Minimal wafer sag
- Self centering
- No chuck cut-outs required

The Talon III provides features not found in any end-effector world-wide. The need for an end-effector which eliminates any top or bottom contact, in or out of the non-intrusion zone has now been met. This end-effector surpasses all SEMI® specifications for edge gripping technology. The Talon III is a pressure driven device which is compatible with all Talon accessories and pressure levels. Regardless of your machines' requirements there is a version of the Talon III which can meet your needs or it can be fabricated. Positive side-gripping, self centering, high speed, no top or bottom contact, no chuck cut-outs, fail-safe — there is only one — the Talon III.

EEI END-EFFECTORS, INC.

1230 Coleman Avenue, Santa Clara, California 95050-4338
408/727-0100 FAX 408/727-2100 www.fjaind.com

"Giving Robotics A Hand"



PART NUMBER FORMAT: TAL-III - VERSION - OPTIONS

EXAMPLE: TAL-III-150-10

VERSION:	DASH NO.	WAFER SIZE(DIA.)	L ₁ (INCHES)	L ₁ (MM)	L ₂ (INCH)	L ₂ (MM)
	-125	125 MM (5.0 INCH)	6.210	157.75	4.210	106.95
	-150	150 MM (6.0 INCH)	6.703	170.25	4.703	119.45
	-200	200 MM (8.0 INCH)	7.687	195.25	5.687	144.45
	-300	300 MM (12.0 INCH)	9.656	245.25	9.656	194.45

OPTIONS: -10 : Wafer Presence Indicator (Optical)
 -20 : System Failure Indicator (Pressure Switch)