

TALON® V NON-CONTACT

TAL-V SERIES

DIFFERENTIAL PRESSURE END-EFFECTOR

FEATURES

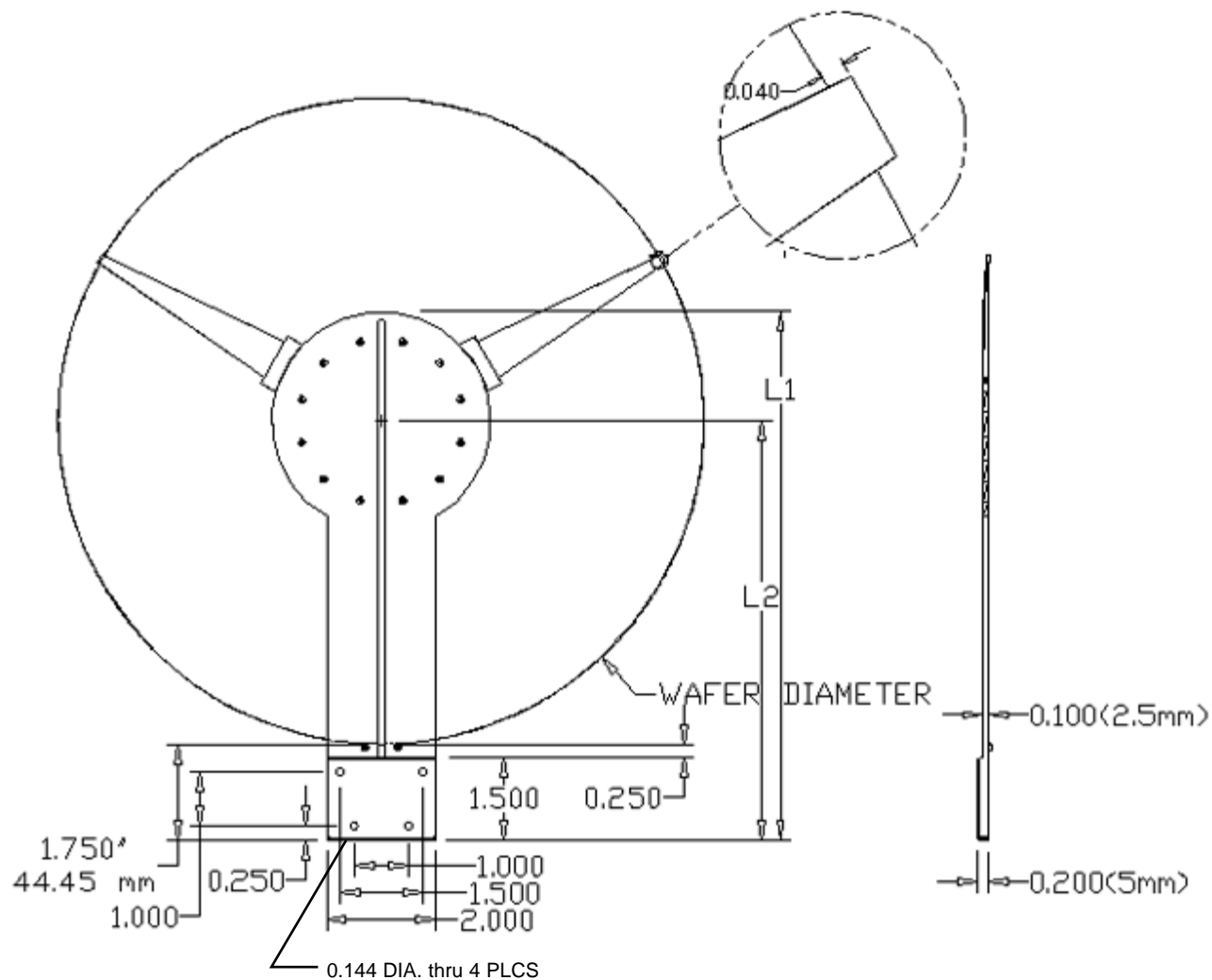
- Non-contact holding
- Handles standard and thin wafers
- Will not bow wafer
- Fits any standard holder
- Compatible with all robots
- Fits Universal Mounting Adapter
- Internal Wafer presence indicator (Optional)
- System Failure Indicator (Optional)
- Fail safe design options (Optional)
- Orientation hold (Optional)

The Talon V® is a non-contact end-effector which can handle standard and thin wafers. This device does not require any mechanical system modification for employment. The Talon V® requires 45 psi of clean dry nitrogen for operation and will hold wafers only when N₂ flows. This end-effector utilizes the Bernoulli principal in conjunction with a minimum three point contact dislocation hold. The Talon V® provides its users the ultimate in performance without front or back-side contact and no breakage to fragile parts. Using EEI designed sense systems negates the need for secondary rotational motion and wafer sense systems thereby reducing cost and increasing throughput.

EEI END-EFFECTORS, INC.

1230 Coleman Avenue, Santa Clara, California 95050-4338
408/727-0100 FAX 408/727-2100 www.fjaind.com

"Giving Robotics A Hand"



PART NUMBER FORMAT: TAL-V - VERSION - OPTIONS

EXAMPLE: TAL-V-150-10-40

VERSION:	DASH NO.	WAFER SIZE(DIA.)	L ₁ (INCHES)	L ₁ (MM)	L ₂ (INCH)	L ₂ (MM)
	-100	100 MM (3.0 INCH)	6.210	157.75	4.210	106.95
	-125	125 MM (5.0 INCH)	6.210	157.75	4.210	106.95
	-150	150 MM (6.0 INCH)	6.703	170.25	4.703	119.45
	-200	200 MM (8.0 INCH)	7.687	195.25	5.687	144.45
	-300	300 MM (12.0 INCH)	9.656	245.25	9.656	194.45

- OPTIONS:
- 10 : Wafer Presence Indicator (Optical)
 - 20 : System Failure Indicator (Pressure Switch)
 - 30 : Fail-safe Wafer Clamping System
 - 40 : Orientation Hold Clamp